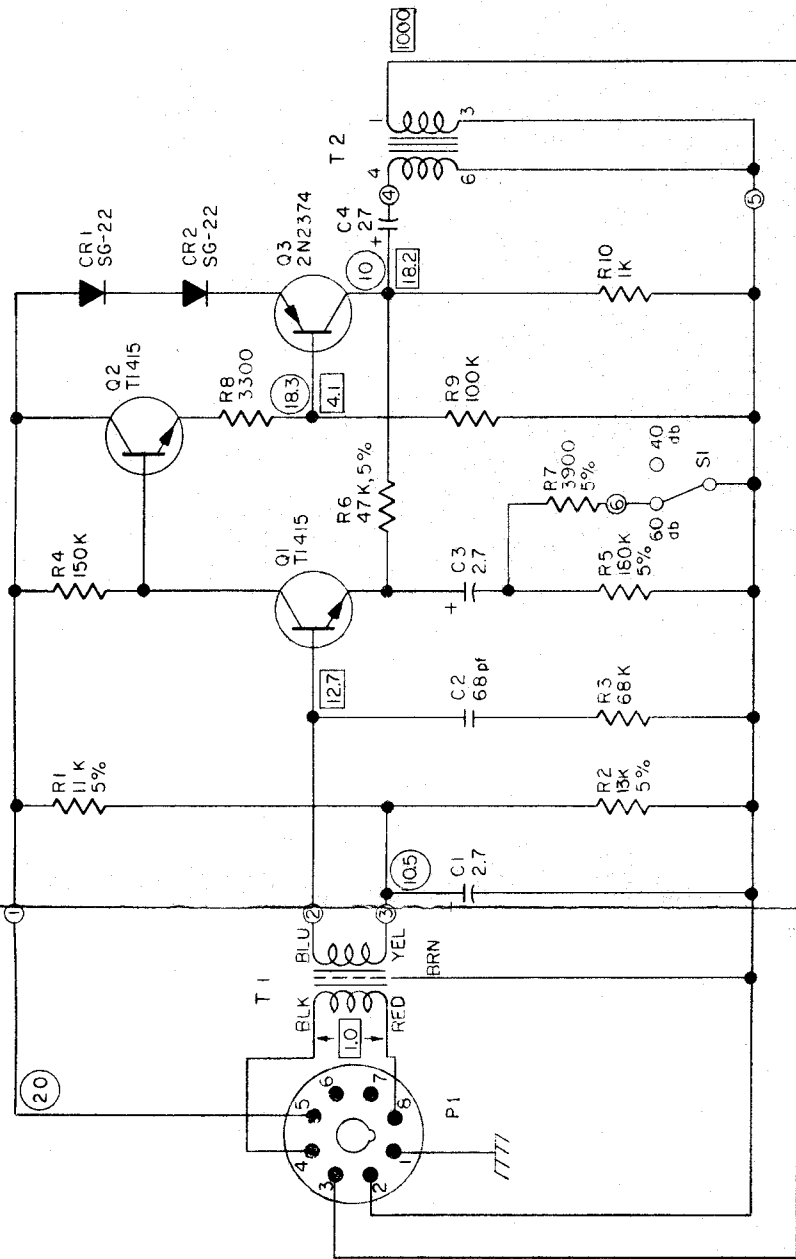


TRANSISTOR BASE DIAGRAM



2N2374 BOTTOM VIEW T1 415 (ALT. 2N3391A)



NOTES:

1. 1777 DENOTES SHIELD CAN.
2. ALL RESISTORS ARE IN OHMS ±10%, 1/4 WATT, UNLESS OTHERWISE SPECIFIED.
3. ALL CAPACITORS ARE IN MICROFARADS, 15 VOLT, UNLESS OTHERWISE SPECIFIED.
4. (20) INDICATES D.C. VOLTAGE TO GROUND, MEASURED WITH A 20000 Ω/V METER.
5. [10] INDICATES RMS MILLIVOLTS TO GROUND AT 500 CPS WITH S1 IN 60 DB POSITION AND LOADED WITH 100K RESISTOR.
6. TRANSISTORS ARE 2N2374 (ALT. 2N3391A).