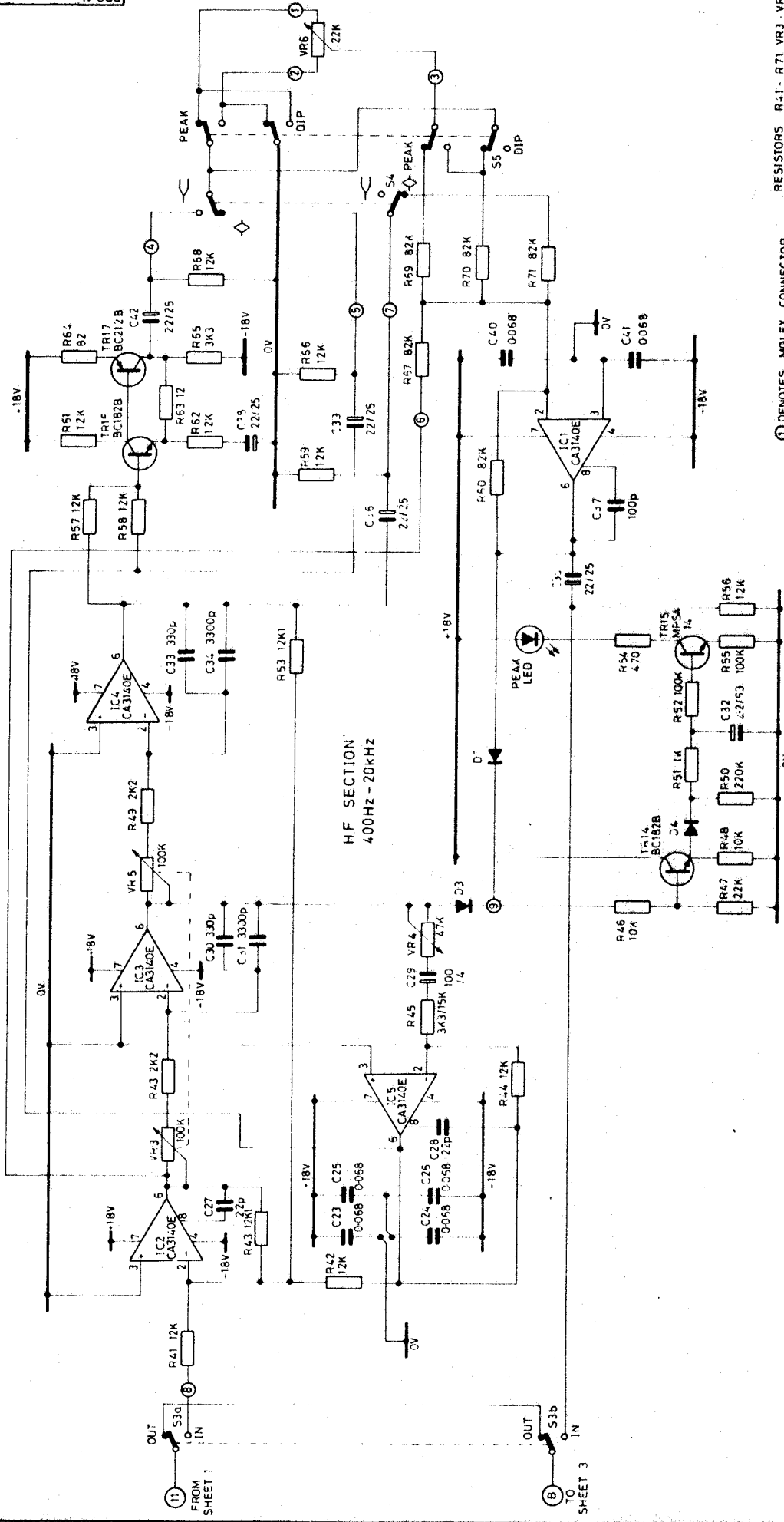


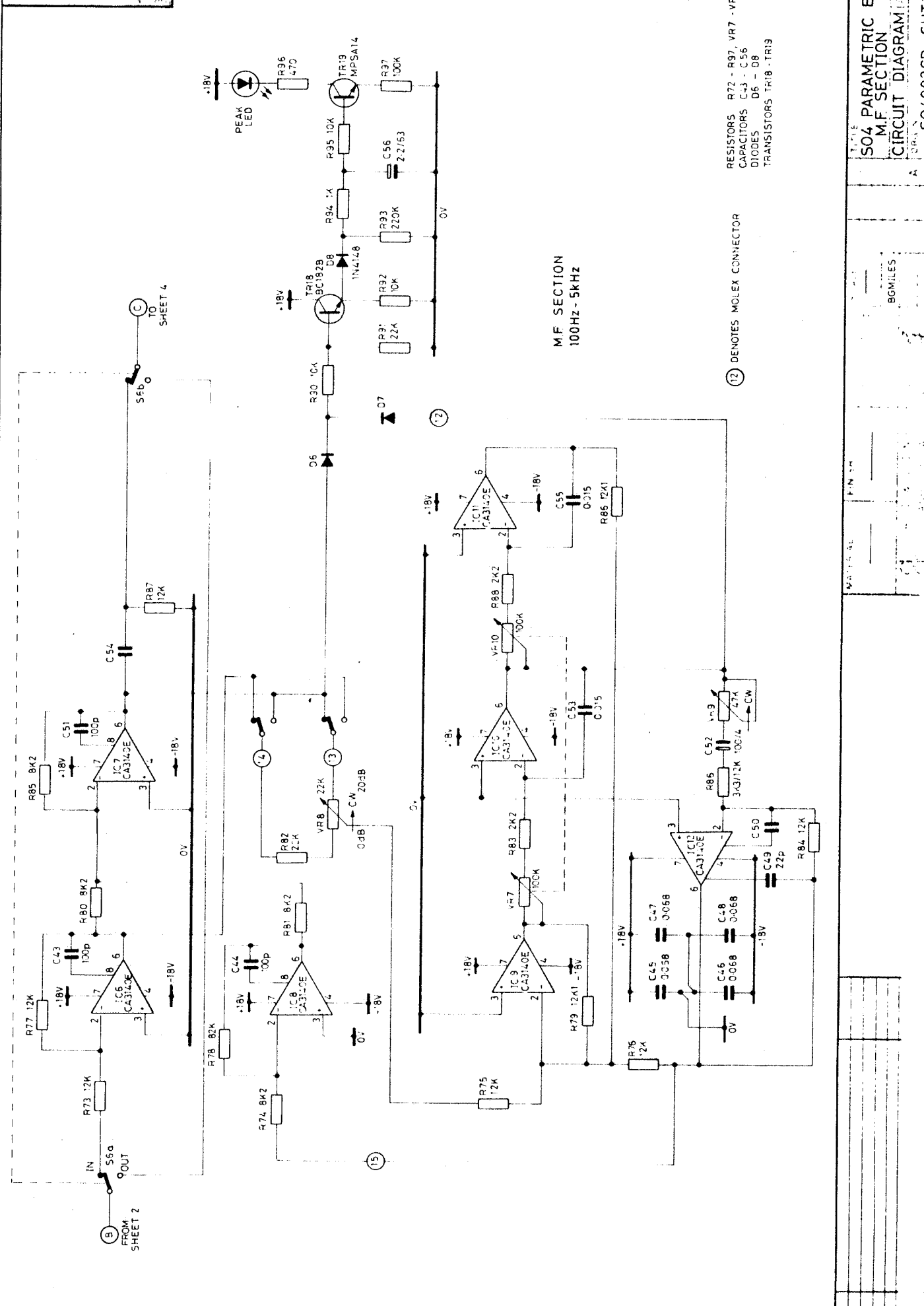
RESISTORS R1 - R40 & VR1, VR2
 CAPACITORS C1 - C22
 DIODES D1, D2
 TRANSISTORS TR1 - TR13
 CAPACITOR C15 NOT USED.

ISS	ALTERATION	USED ON	MATERIAL	FINISH	AUDIO & DESIGN RECORDING	CRANBOURNE ASSOCIATES	SCALE	DATE	SIG	ISS	TITLE
A							15.3.73				504 PARAMETRIC EQ DIFF AMP/LINE AMP
											CIRCUIT DIAGRAM A 2
											DRG. No. 504003CD SHT. 1

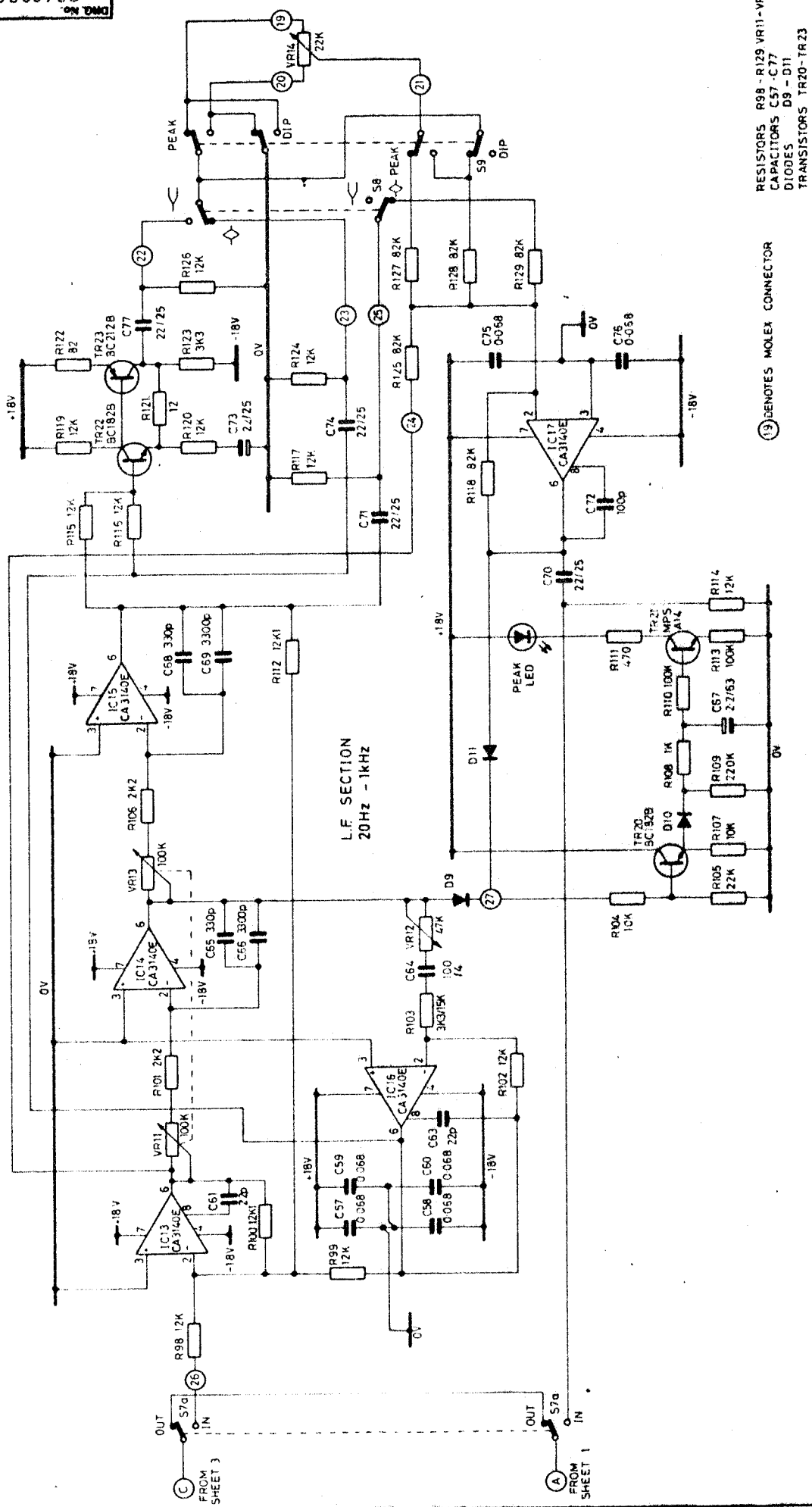


RESISTORS R-1 - R71 VR3 - VR6
CAPACITORS C23 - C42
DIODES D1 - D5
TRANSISTORS TR14 - TR17

ISS	ALTERATION	USED UN	MATERIAL	FINISH	SCALE	DATE	SIG	ISS	TITLE
A					8GMILES			A	S04 PARAMETRIC EQ H.F SECTION
									CIRCUIT DIAGRAM A2
									DRG No S04003CD SHT.2



THIRD ANGLE PROJECTION. DO NOT SCALE THIS DRAWING. IF IN DOUBT ASK REMOVE ALL BURRS AND SHARP EDGES.



Ⓣ DENOTES MOLEX CONNECTOR

RESISTORS R98 - R129 VR11 - VR14
CAPACITORS C57 - C77
DIODES D9 - D11
TRANSISTORS TR20 - TR23

TITLE		SCALE		MATERIAL		FINISH		MATERIAL		MATERIAL		MATERIAL		MATERIAL	
S04 PARAMETRIC EQ.		1:1		ALUMINUM		NONE		NONE		NONE		NONE		NONE	
L.F. SECTION		1:1		ALUMINUM		NONE		NONE		NONE		NONE		NONE	
CIRCUIT DIAGRAM		1:1		ALUMINUM		NONE		NONE		NONE		NONE		NONE	
A		A		A		A		A		A		A		A	
ISS		ISS		ISS		ISS		ISS		ISS		ISS		ISS	
DATE		DATE		DATE		DATE		DATE		DATE		DATE		DATE	
SIG.		SIG.		SIG.		SIG.		SIG.		SIG.		SIG.		SIG.	
ISS		ISS		ISS		ISS		ISS		ISS		ISS		ISS	
SHT. 4		SHT. 4		SHT. 4		SHT. 4		SHT. 4		SHT. 4		SHT. 4		SHT. 4	

ALTERNATION USED ON

FROM SHEET 1

FROM SHEET 3

OUT

IN

OUT

IN

OUT

IN

ISS

ISS

ISS

ISS

ISS

ISS

ISS

ISS

ISS

ISS

ISS

ISS

ISS

ISS

ISS

ISS

ISS

ISS

ISS

ISS

ISS

ISS

ISS

ISS

ISS

ISS

ISS

ISS

ISS

ISS

ISS

ISS

ISS

ISS

ISS

ISS

ISS

ISS

ISS

ISS

ISS

ISS

ISS

ISS

ISS

ISS

ISS

ISS

ISS