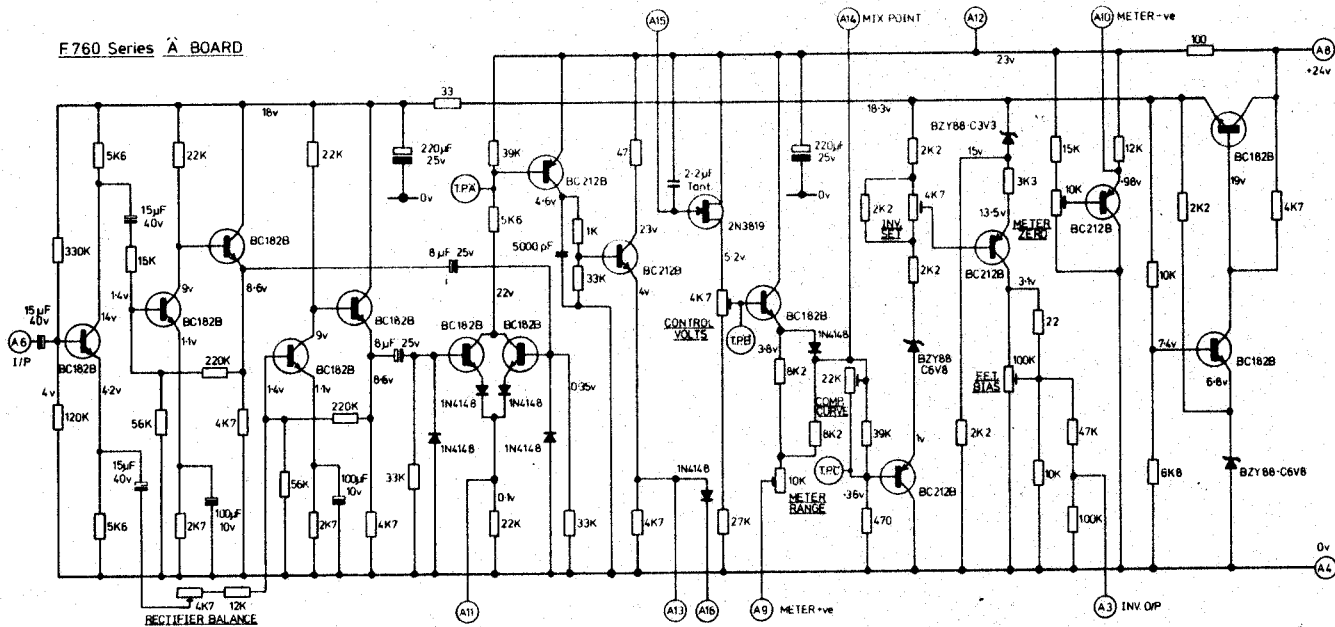
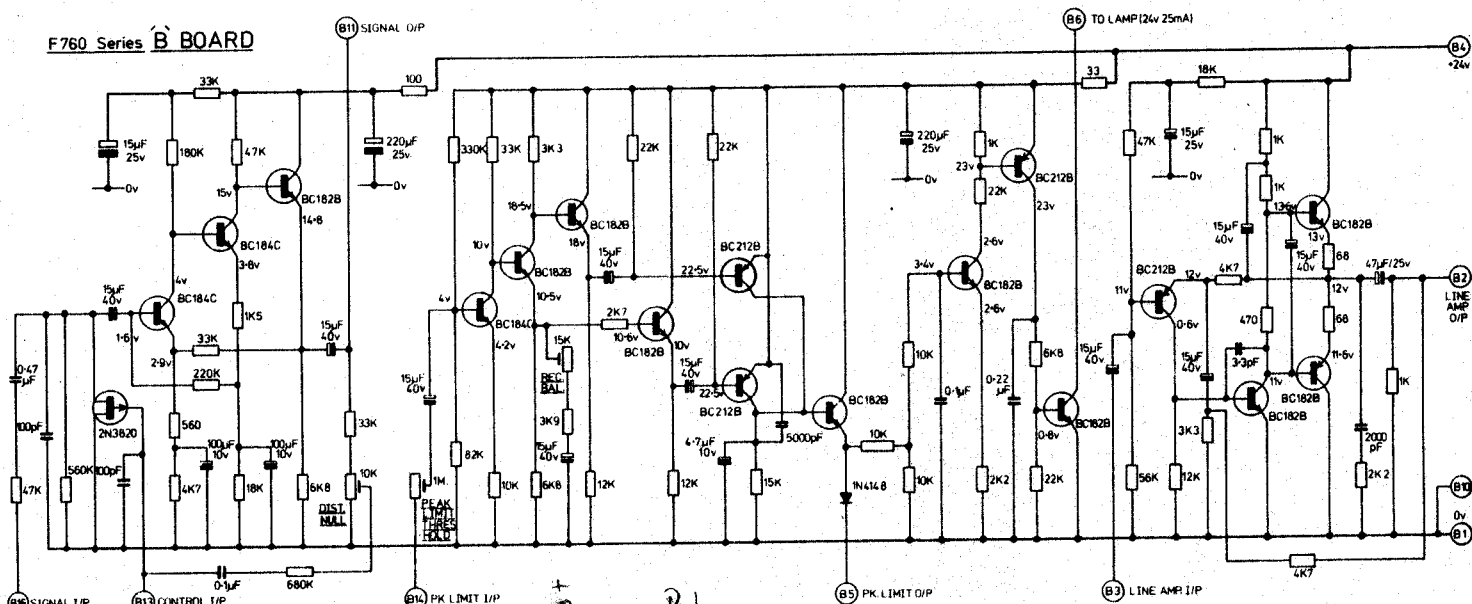


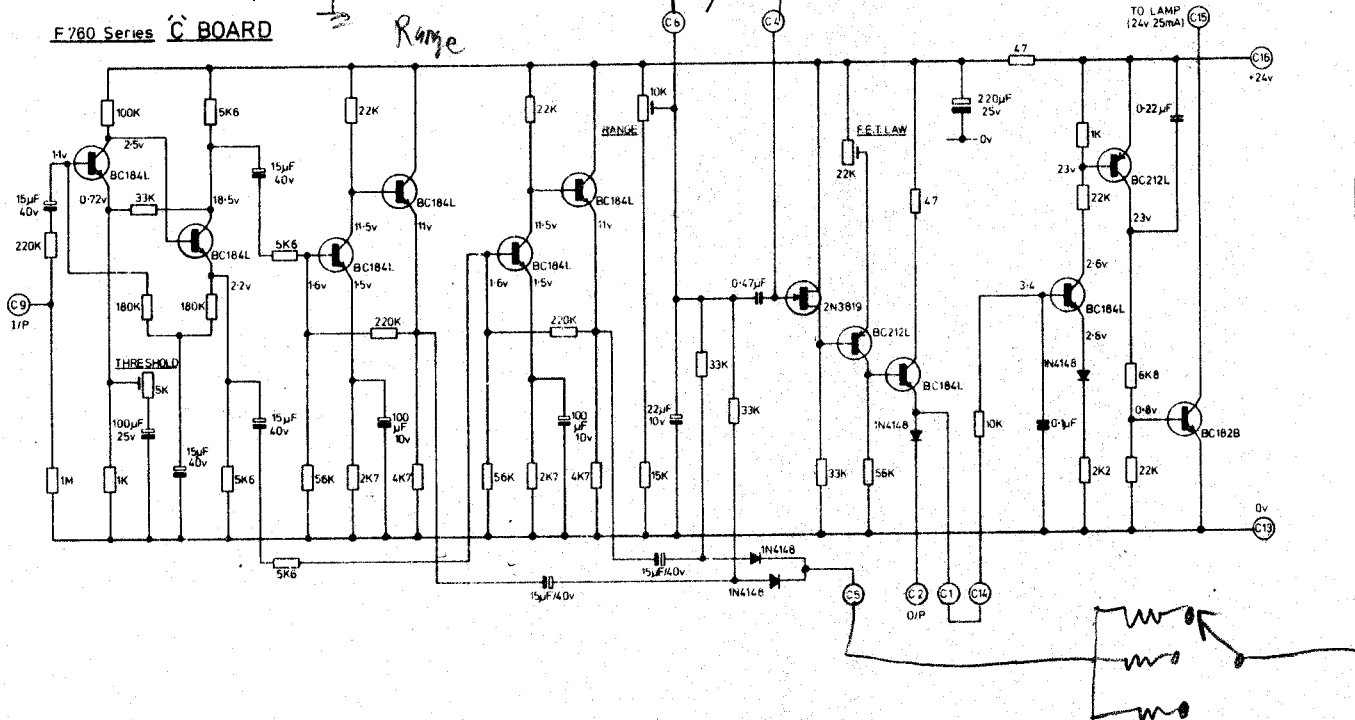
F760 Series **A BOARD**



F760 Series **B BOARD**



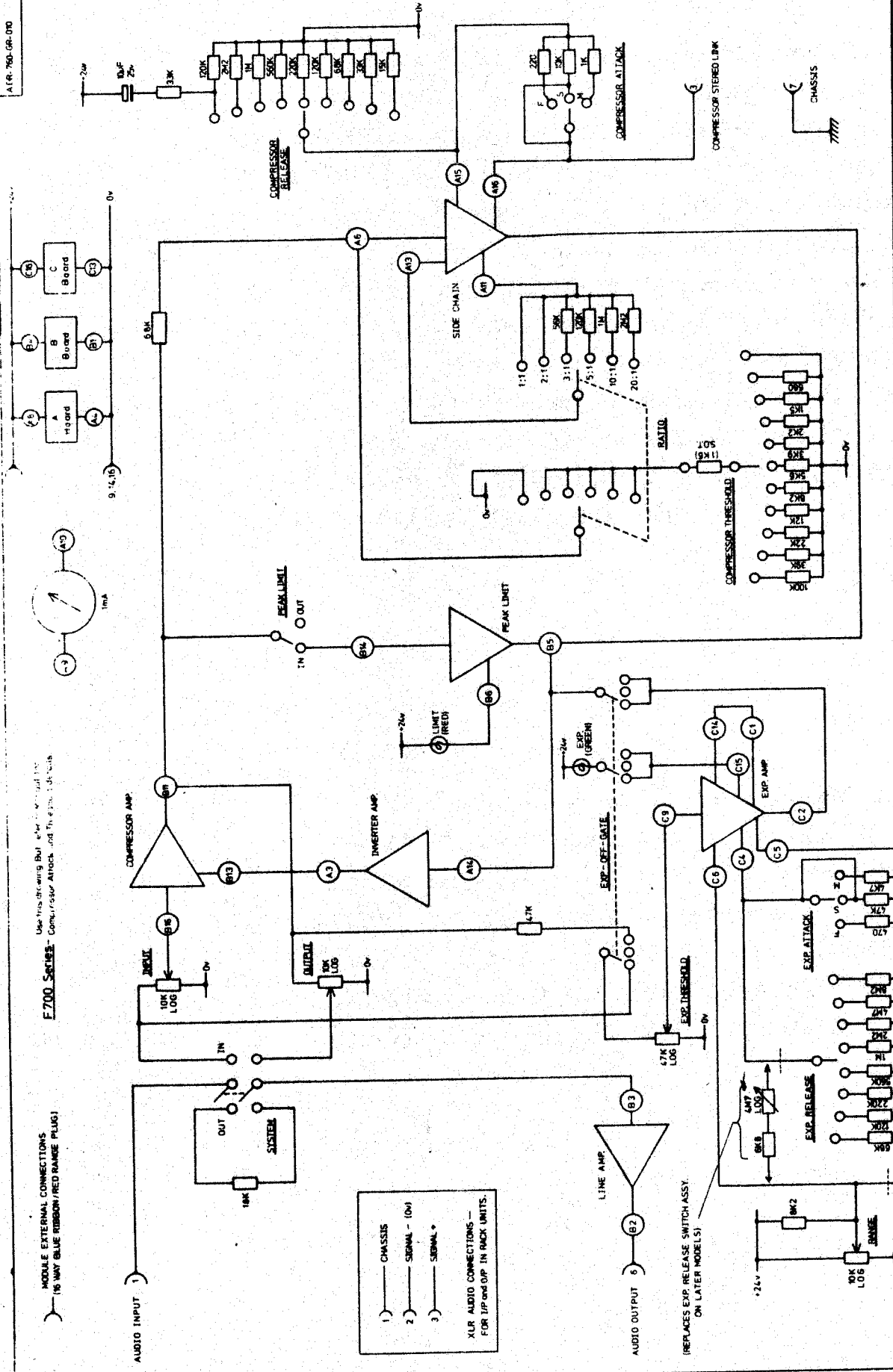
F760 Series **C BOARD**



MODULE EXTERNAL CONNECTIONS  
(16 MAY BLUE RIBBON / RED RANGE PLUS)

F 700 SERIES -  
COMPRESSOR ATTACK AND RELEASE UNIT

Use this drawing But refer to...  
Compressor Attack and Release Unit



1) CHASSIS  
2) SIGNAL - (0V)  
3) SIGNAL \*

XLR AUDIO CONNECTIONS -  
FOR TP and OP IN RACK UNITS.

(REPLACES EXP. RELEASE SWITCH ASSY.  
ON LATER MODELS)

<p><b>AUDIO DESIGN RECORDING</b></p>	<p><b>F 760X</b> COMPLEX LIMITER</p> <p>PEAK LIMITER - COMPRESSOR - EXPANDER / GATE MODULE</p>	<p>DATE - 25/11/74 DRAWN - R.H. ISSUE - /B</p>
--------------------------------------	--	--