

- REFERE  
 4 BACK  
 5 FRON  
 6 TRAN  
 7 POWE  
 8 SIDE  
 9 RECO

E  
4050435

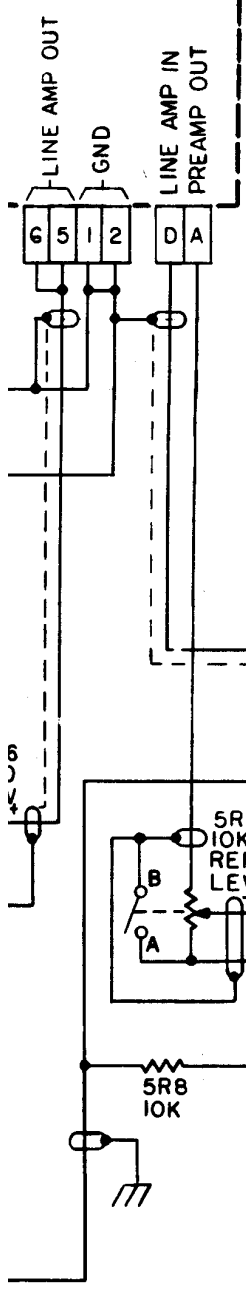
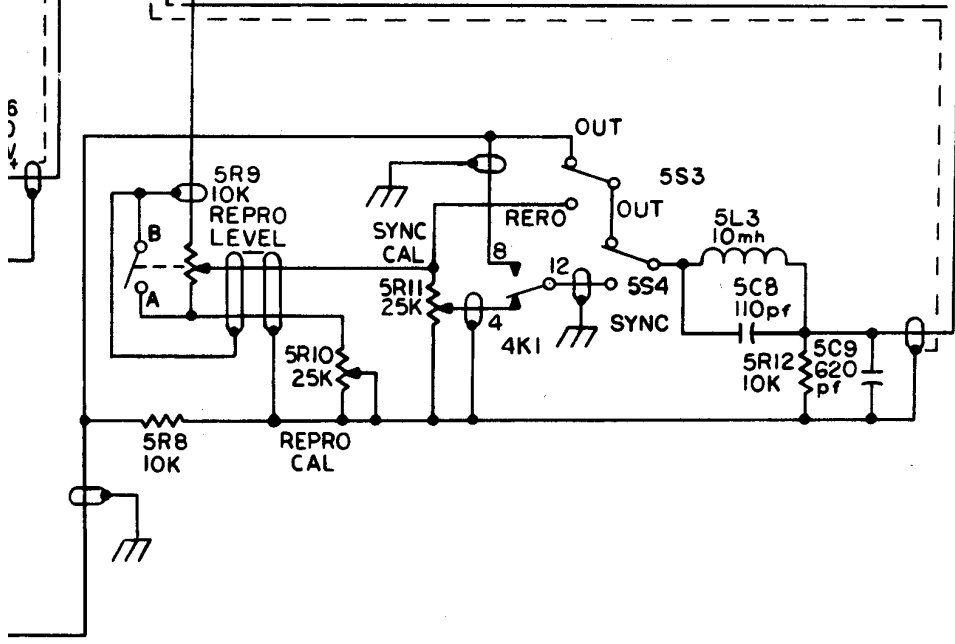


TABLE I  
FOR FIELD SERVICE ONLY

AMPEX PART NO.	NEAREST COM'L EQUIVALENT
013-599	1N914
014-364	2N2905A
014-653	2N3904
014-781	MPS6518
013-678	1N4385

LAST REF DES USED		
R16	P2	
C11	CR2	
DS4	VRI	
L3	FI	
T1	K1	
M1	S7	
J13		

REF DES NOT USED		
DS2		



- REFERENCE DESIGNATOR PREFIX CODE
- 4 BACK PANEL
  - 5 FRONT PANEL
  - 6 TRANSPORT
  - 7 POWER SUPPLY
  - 8 SIDE PANELS
  - 9 RECORD CONTROL BOARD

Schematic No. 4840248

Record Control PWA and Record/Reproduce  
Chassis Wiring Diagram